

Ideal for repositioning
Wheel Type

Full range of safety equipment!

Higher functionality, Greater Convenience, More safety & with More Options!

Scissor Lift Aerial Work Platform - Wheel Type

ENTL Series

Maximum height: 3.8m/4.5m/5.8m

Possible to steer the platform with just one hand.
The control panel can be easily removed to operate from the ground for additional convenience.

Single Lever Control

All daily inspection and maintenance can be performed from one side of the platform.

One-side Maintenance



4m Class ENTLO38SE/ENTLO45SE



6m Class ENTLO58SE

6m Class
Up to
4 units

Forklift pockets in either orientation for easy loading.
Ideal for when loading multiple units on a track.

Newly Added Front-to-Back Forklift Pockets

Prevent ceiling entrapment accidents.

Entrapment Prevention Feature Option



ENTLO38SE

3.8m

ENTLO45SE

4.5m

ENTLO58SE

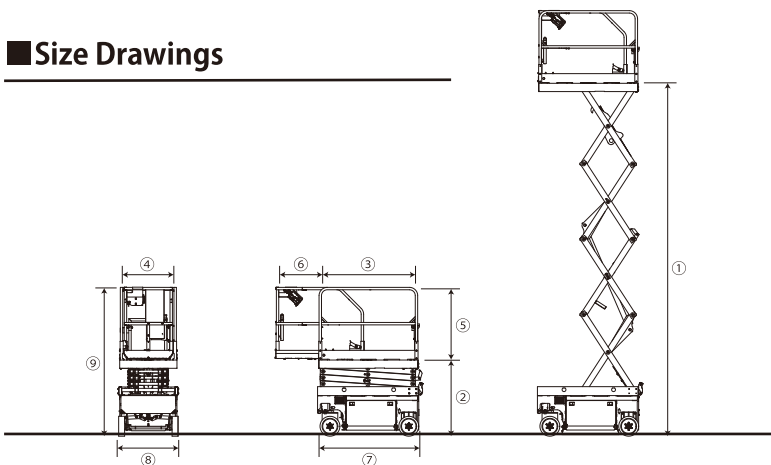
5.8m

Specifications

Model Name		ENTL038SE-4	ENTL045SE-4	ENTL058SE-4
Scissors lifter wheel-type aerial work platform				
Work platform				
①Max. height above ground	mm	3,800	4,500	5,800
②Min. height above ground	mm		975	1,060
Internal dimensions	③Total Length	mm	1,200	1,610
	④Total width	mm	645	645
	⑤Total height	mm	1,030 ^{**2} / 1,130 ^{**3}	
⑥Expansion platform slide length	mm	550		930
Number of person	Indoor	2	1	2
	Outdoor		1	
Max. load	kg	200		230
Max. load when platform is extended	kg		115	
Scissors lift				
4-stage X-type pantographs with one end fixed				
Lifting speed (up/down) ^{**1}	sec	20 / 21	24 / 25	30 / 24
Travel motor				
Drive type		DC motor		
Travel speed (max/min) ^{**4}	km/h	0~3.0		0~4.0 / 0~2.2
Gradeability	deg	10		12
Min. turning radius	mm	1,250		1,570
Power supply				
Input power supply	V	Single-phase AC100 ~ 240		
Battery voltage	V	DC24		
Battery capacity (5 hour rate)	Ah	100		
Charger		Delta-Q IC650		
Battery		EB100×2		EB100×2 (Up to 4 units)
Vehicle specifications				
⑦Total length	mm	1,305 (When step is stored)		1,835
⑧Total width	mm	760		810
⑨Total height	mm	2,005 ^{**2} / 2,105 ^{**3}		2,090 ^{**2} / 2,190 ^{**3}
Machine weight	kg	880	850	1,385

※1 Value at maximum load. ※2 ISO standard compliant. ※3 ANSI standard compliant. ※4 Maximum load capacity when work platform stowed.

Size Drawings



Safety Devices

- Incline angle restriction devices
(Travel restriction, Lifting restriction)
- Sudden drop prevention device
- Travel and lifting warning device
- Overload restriction device
- Emergency stop device (Emergency stop button)
- Emergency lowering device
- Lever guard
- NEW** Entrapment prevention device Option

Important information about safety

- Only trained and authorized personnel shall be permitted to operate this machine.
- Follow the instructions in the manual and use the machine safely.
- This machine shall be operated and maintained under local laws and regulations.
- In order to prevent failures and accidents, be sure to perform daily inspections and regular inspections.

- This catalog is current as of October 2021. Be aware that the specifications, appearance, and other details may be changed without notice.
- For reasons related to printing, the paint colors seen here may differ from the actual products.

AIRMAN is a registered trademark of AIRMAN CORPORATION.

OUT HEAD OFFICE AND PLANT ARE CERTIFIED TO BOTH ISO 9001 AND ISO 14001.



Nigata plant:
Shimo Aozu,
Tsubame-city,
Niigata-prefecture,
Japan

AIRMAN CORPORATION

8th Floor Shinjuku San-Ei Bldg. 22-2 Nishi-Shinjuku 1-Chome, Shinjuku-ku,
Tokyo 160-0023 Japan
Tel: 81-3348-7281 Fax: 81-3-3348-7289
E-mail: airman.oversea@airman.co.jp
<https://www.airman.co.jp>

AIRMAN ASIA SDN. BHD.

Suite A-8-2, level 8, Block A, Sky Park @ One City,
Jalan USJ 25/1, 47650 Subang Jaya, Selangor, Malaysia
Tel: 60-3-5036-7228 Fax: 60-3-5036-7226
E-mail: sales@airman-asia.com
<https://airman-asia.com>

HOKUETSU INDUSTRIES EUROPE B.V.

Aalsmeerderdijk 156, 1438 AX Oude Meer, The Netherlands
Tel: 31-20-6462636 Fax: 31-20-6462191
E-mail: info@hokuetsu.nl
<https://www.hokuetsu.eu>

AIRMAN USA CORPORATION

95 International PKWY, Suite 100, Adairsville, 30103 GA USA
Tel: 1-678-800-7070 Fax: 1-770-769-4335
<https://airman-usa.com>

